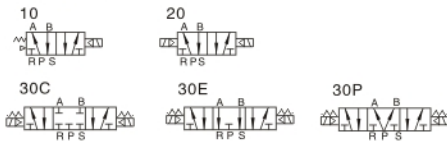


# Solenoid valve ( 5/2 、 5/3 way )

## 4V100 Series



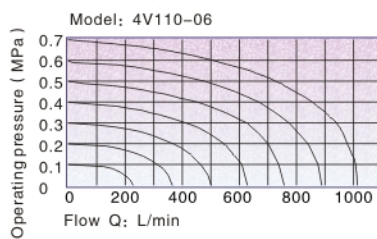
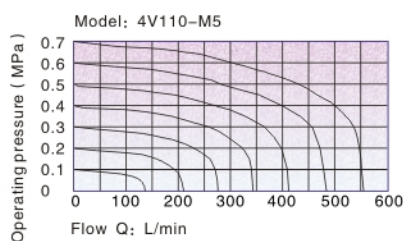
### Symbol



### Product feature

- 1、 Pilot-oriented mode: optional for internal or external;
- 2、 Structure in sliding column mode: good tightness and sensitive reaction;
- 3、 Three position solenoid valves have three kinds of central function for your choice;
- 4、 Double control solenoid valves have memory function;
- 5、 Internal hole adopts special processing technology which has little attrition friction, low start pressure and long service life;
- 6、 No need to add oil for lubrication;
- 7、 It is available to form integrated valve group with the base to save installation space;
- 8、 Affiliated manual devices are equipped to facilitate installation and debugging;
- 9、 Several standard voltage grades are optional;

### Flow chart



### Specification

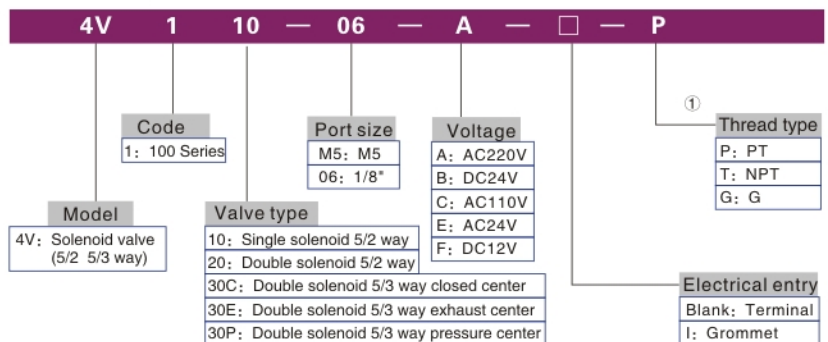
Model	4V110-M5 4V120-M5	4V130C-M5 4V130E-M5 4V130P-M5	4V110-06 4V120-06	4V130C-06 4V130E-06 4V130P-06
Fluid	Air( to be filtered by 40um filter element)			
Acting	Piloted			
Port size ①	In=Out=M5		In=Out =1/8"	
Orifice size	5.5mm <sup>2</sup> (Cv=0.31)	5.0mm <sup>2</sup> (Cv=0.28)	12.0mm <sup>2</sup> (Cv=0.67)	9.0mm <sup>2</sup> (Cv=0.50)
Valve type	5 port 2 position	5 port 3 position	5 port 2 position	5 port 3 position
Operating pressure	0.15~0.8MPa(21~114Psi)			
Proof pressure	1.5MPa(215Psi)			
Temperature °C	-20~70			
Material of body	Aluminum alloy			
Lubrication ②	Not required			
Max. frequency ③	5 cycle/sec	3 cycle/sec	5 cycle/sec	3 cycle/sec
Weight	4V110-M5:120g 4V120-M5:175g	200g	4V110-06:120g 4V120-06:175g	200g

- ① PT thread、 NPT thread and G thread are available;
- ② It can not stop in the midway of lubricating. Lubricants like ISO VG32 or equivalent are recommended.
- ③ The maximum actuation frequency is in the no-load state.

### Coil specification

Item	Specification
Standard voltage	AC220V、 AC110V、 AC24V、 DC24V、 DC12V
Scope of voltage	AC: ±15% DC: ±10%
Power consumption	AC: 2.5VA DC : 2.5W
Protection	IP65 ( DIN40050 )
Temperature classification	B Class
Electrical entry	Terminal、 Grommet
Activating time	0.05 sec and below

### Ordering code



- ①When the thread is M5 type, the code is blank. Please refer to PI-34 for manifold specification and the order way.

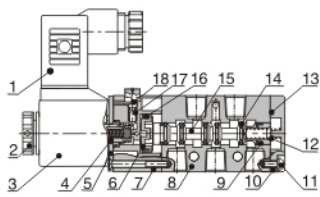


# Solenoid valve ( 5/2 、 5/3 way )

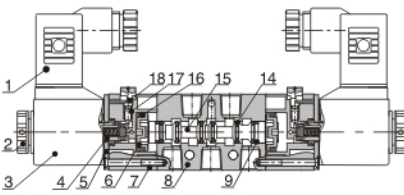
## 4V100 Series

### Inner structure

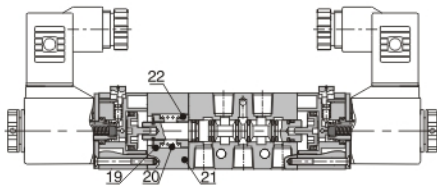
4V110



4V120



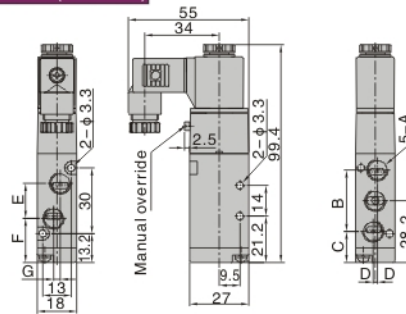
4V130C



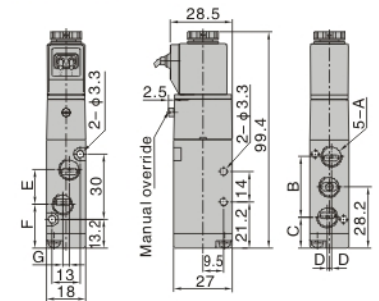
NO.	Item	NO.	Item	NO.	Item
1	Connector	9	Wear ring	17	Override spring
2	Coil nut	10	Bottom cover	18	Manual override
3	Coil	11	Fixed screw	19	Spring holder
4	Armature	12	Spool spring	20	Return spring
5	Fixed plate	13	Bottom cover gasket	21	Side cover
6	Piston	14	Spool O-ring	22	Spring holder
7	Pilot kit	15	Spool		
8	Body	16	Piston O-ring		

### Dimensions

4V110(Terminal)

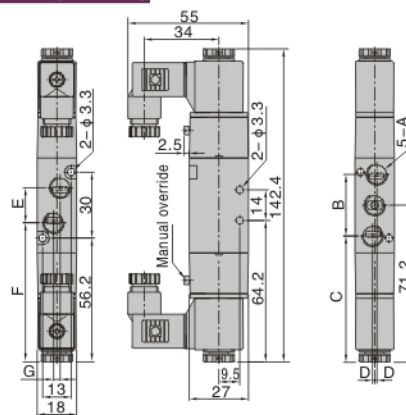


4V110(Grommet)

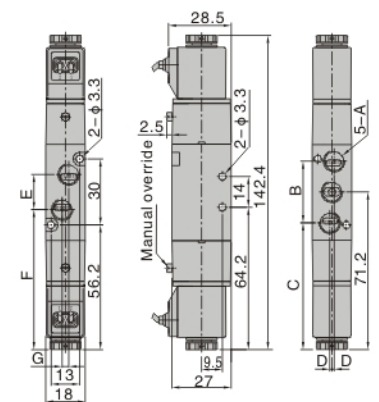


Model/Item	A	B	C	D	E	F	G
4V110-M5	M5 x 0.8	27	14.7	0	14	21.2	0
4V110-06	1/8"	28	14.2	1	16	20.2	3

4V120(Terminal)

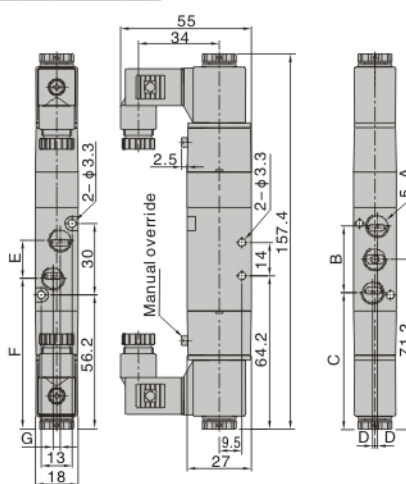


4V120(Grommet)

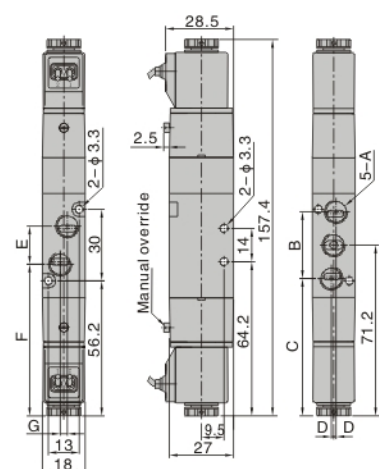


Model/Item	A	B	C	D	E	F	G
4V120-M5	M5 x 0.8	27	57.7	0	14	64.3	0
4V120-06	1/8"	28	57.2	1	16	63.2	3

4V130(Terminal)



4V130(Grommet)



Model/Item	A	B	C	D	E	F	G
4V130-M5	M5 x 0.8	27	57.7	0	14	64.3	0
4V130-06	1/8"	28	57.2	1	16	63.2	3