

## SERIES OF HYBRID STEPPING MOTOR

### 混合式步进电机 四相高转矩低振动方形 86BYGH450 系列



#### 基本参数 (General Specifications):

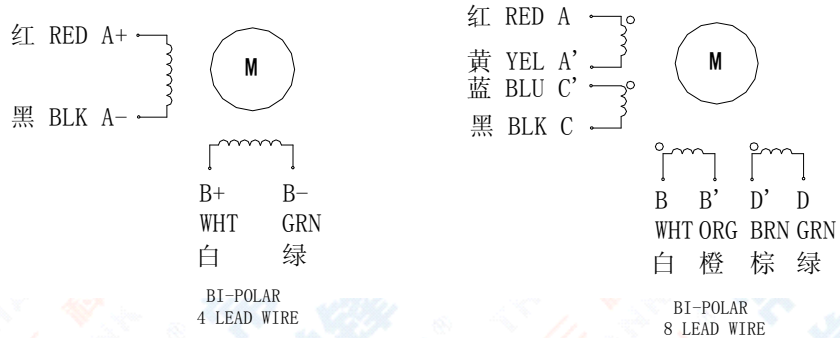
步距角 (Step Angle)	1.8° / 0.9° (full step/ half step)
步距角精度 (Step Angle Accuracy)	±5% (full step, no load)
电阻精度 (Resistance Accuracy)	±10%
电感精度 (Inductance Accuracy)	±20%
温升 (Temperature Rise)	80°C Max (rated current, 2 phases on)
环境温度 (Ambient Temperature Range)	-20°C ~ +50°C
绝缘电阻 (Insulation Resistance)	100MΩ Min. 500VDC
绝缘介电强度 (Dielectric Strength)	750VAC 50Hz 1mA 1 Minute
绝缘等级 (Insulation Class)	B 级 (130°C 级)
轴向变形 (Shaft Axial Play)	0.08mm Max (450g Load)
径向跳动 (Shaft Radial Play)	0.02mm Max (450g Load)
最大径向力 (Max. radial force)	220N (20mm from the flange)
最大轴向力 (Max. axial force)	60N
旋转方向 (Rotation)	CW (See From Front Flange)

#### 主要参数 (Electrical Specifications):

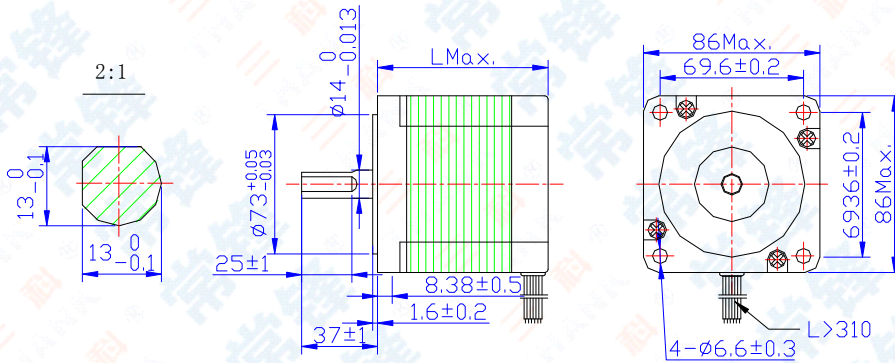
型号 Model	机身长L Motor Length (mm)	保持转矩 Holding Torque (N.m)		电压 Rated Voltage (V)	电流 Rated Current (A)	电阻 Phase Resistance (Ω)	电感 Phase Inductance (mH)	转动惯量 Rotor Inertia (kg.cm <sup>2</sup> )	引出线数 Lead Wire	定位力矩 Detent Torque (N.m)	重量 Motor Weight (kg)
		两相	一相								
86BYGH450A-01	70.5	3.4	2.6	2.4	2	2.6	9.5	1	8	0.12	2.1
86BYGH450A-02	70.5	3.4	2.6	3.6	3	1.2	4.0	1	8	0.12	2.1
86BYGH250A-01	70.5	3.4	2.6	4.8	4	0.8	4.8	1	4	0.12	2.1
86BYGH250A-02	70.5	3.4	2.6	6.4	5.9	0.28	1.7	1	4	0.12	2.1
86BYGH450B-01	101.5	7.28	5.2	2.4	2	4.2	20	2.7	8	0.24	3.3
86BYGH450B-02	101.5	7.28	5.2	1.8	3	1.8	7.5	2.7	8	0.24	3.3
86BYGH250B-01	101.5	7.28	5.2	4.8	4	1.4	20	2.7	4	0.24	3.3
86BYGH250B-02	101.5	7.28	5.2	2.4	6	0.5	4.8	2.7	4	0.24	3.3
86BYGH450C-01	130.5	10.2	7.8	6.4	2	5.8	30	4	8	0.36	4
86BYGH450C-02	130.5	10.2	7.8	6.4	4	0.45	7.5	4	8	0.36	4
86BYGH250C-01	130.5	10.2	7.8	3.2	4	1.7	7.0	4	4	0.36	4
86BYGH250C-02	130.5	10.2	7.8	2.5	6	0.55	4.5	4	4	0.36	4
86BYGH450D-01	162.5	13.57	10.4	2.72	2	7.0	42	5.1	8	0.48	5.5
86BYGH450D-02	162.5	13.57	10.4	4.8	3	4.4	21	5.1	8	0.48	5.5
86BYGH450D-03	162.5	13.57	10.4	14	4	3.5	10	5.1	8	0.48	5.5
86BYGH250D-01	162.5	13.57	10.4	3.6	4	2.1	14.5	5.1	4	0.48	5.5
86BYGH250D-02	162.5	13.57	10.4	4.8	6	0.65	6.0	5.1	4	0.48	5.5

\*以上产品为基本型，可根据用户要求订做派生：轴伸、电流、高低温、密封等

## 接线图 (Wiring Diagram):



## 外形图 (Dimensions):



86BYGH450/A/B/C/D, 86BYGH250A/B/C/D

## 运行矩频特性 (Pull-out Torque-pulse curve):

