

Preparation unit—Regulator

AR、BR Series

Specification

Model	AR1500	AR2000	BR2000	BR3000	BR4000
Fluid	Air				
Port size	1/8"	1/4"	1/4"	3/8"	1/2"
Pressure range	0.05-0.9MPa(7-130Psi)				
Proof pressure	1.5 MPa(215Psi)				
Temperature range	-20-70°C				
Weight	200g		230g		

Ordering code

AR		2000		L		□		P	
Model		Port size		Type code		Scale		Thread	
AR: A Series Regulator		1500: 1/8" 2000: 1/4"		Blank: Standard(0.9MPa) L: Lower pressure(0.4MPa)		Blank: MPa P: psi B: bar Z: Double scale(psi, kgf/cm ²)		P: PT T: NPT G: G	
BR: B Series Regulator		2000: 1/4" 3000: 3/8" 4000: 1/2"							



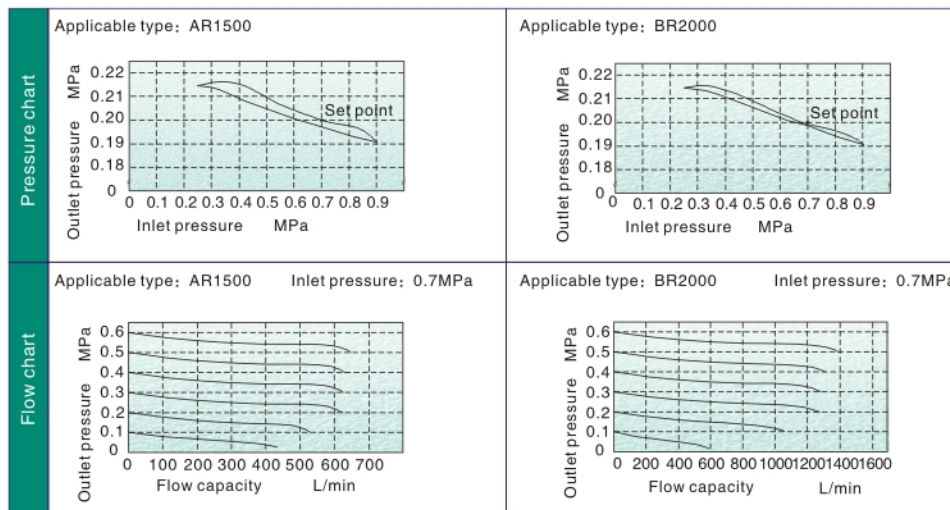
Symbol



Product feature

- 1、The structure is delicate and compact, which is convenient for installation and application;
- 2、The pressed-in self-locking mechanism can prevent the abnormal movement of the set pressure caused by external interference;
- 3、In addition to standard type, lower pressure type is optional (The highest adjustable pressure is 0.4MPa);

Pressure and feature of flow

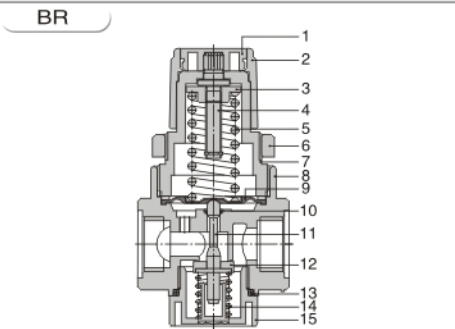
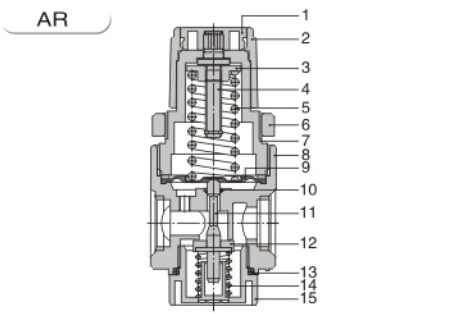


Preparation unit—Regulator

AR、BR Series

Inner structure and material of major parts

■ Dimensions



No.	Item	Material
1	Push button	POM
2	Adjusting button	POM
3	Adjusting nut	Steel
4	Adjusting pillar	Steel
5	Adjusting spring	SWC
6	Fixed ring	POM
7	Adjusting seat	POM
8	Body	Aluminum alloy
9	Diaphragm	SUS304 & Rubber
10	Needle O-ring	NBR
11	Balance needle	POM
12	Needle gasket	Aluminum alloy & Rubber
13	Cap O-ring	NBR
14	Return spring	Stainless Steel
15	Regulator cap	POM

